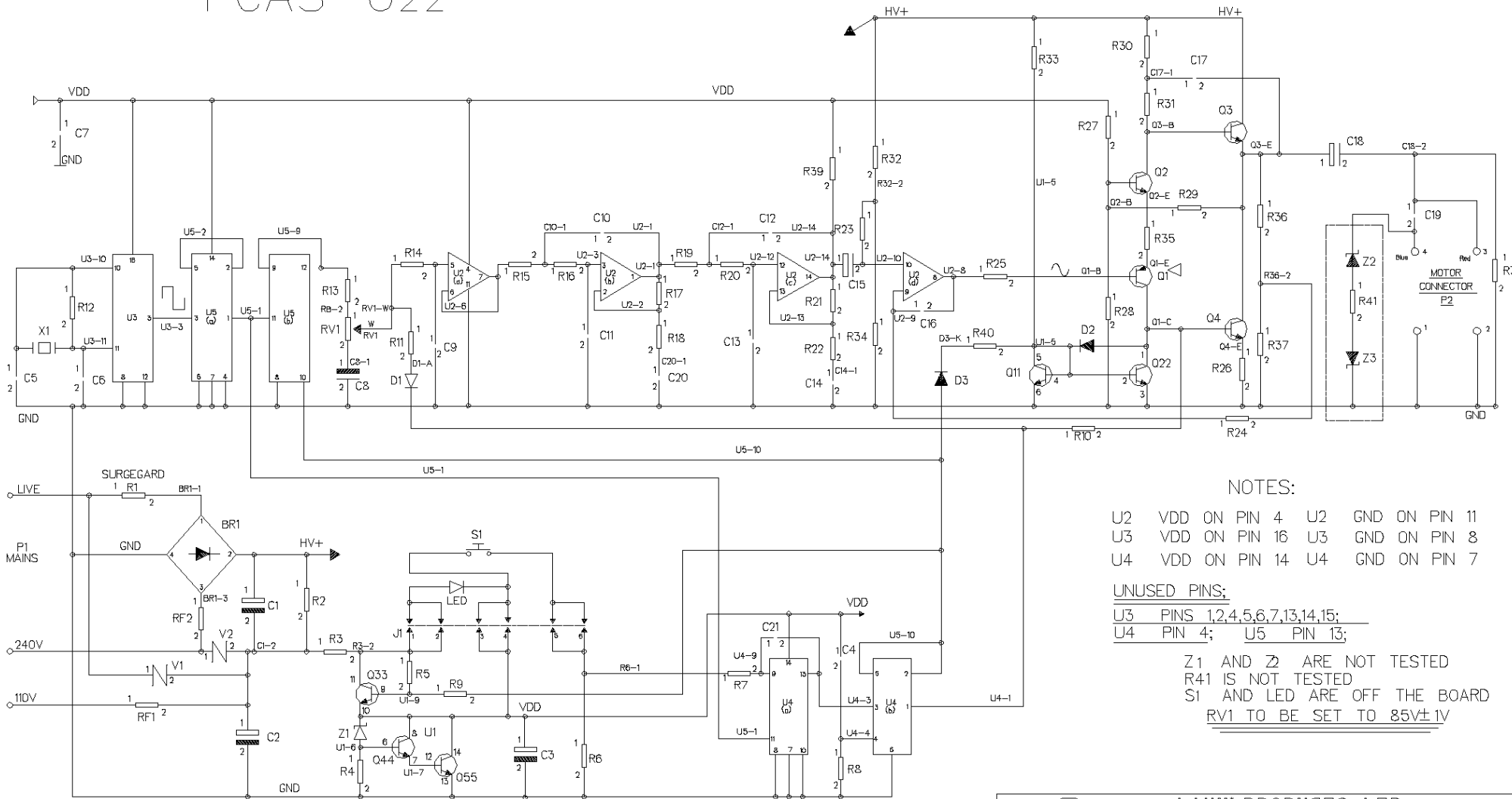


VALHALLA PCAS 022

REV.	ALTERATIONS	DATE	INIT
------	-------------	------	------



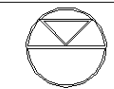
NOTES:

- U2 VDD ON PIN 4 U2 GND ON PIN 11
- U3 VDD ON PIN 16 U3 GND ON PIN 8
- U4 VDD ON PIN 14 U4 GND ON PIN 7

UNUSED PINS:

- U3 PINS 1,2,4,5,6,7,13,14,15;
- U4 PIN 4; U5 PIN 13;

Z1 AND Z2 ARE NOT TESTED
 R41 IS NOT TESTED
 S1 AND LED ARE OFF THE BOARD
RV1 TO BE SET TO 85V±1V



LINN* PRODUCTS LTD.

FLOORS ROAD, WATERFOOT, EAGLESHAM, GLASGOW G76 0EP
 TELEPHONE (041) 644 5111
 COPYRIGHT LINN PRODUCTS (UK TRADE MARK)

TECHNICAL INFORMATION, DRAWINGS, DESIGN AND OTHER DATA SUPPLIED BY LINN ARE CONFIDENTIAL AND WILL NOT, WITHOUT THE PRIOR WRITTEN CONSENT OF LINN, BE DISCLOSED TO ANY THIRD PARTY AND WILL BE USED SOLELY FOR THE PURPOSE OF THE ORDER AND AT ALL TIMES REMAIN THE PROPERTY OF LINN.					
THIRD ANGLE PROJECTION	UNIT OF MEASURE	SHEET NO.	NO. OF SHEETS	DATE @	PART NO.
	—	1	1	7JUL89	SAME AS DRG.
SCALE	NONE	MATERIAL	—	DRG. NO.	PCAS 022/L5R9
DRAWN AWJ	CHKD.	PASSED	TITLE	CIRCUIT DIAGRAM FOR VALHALLA BOARD	